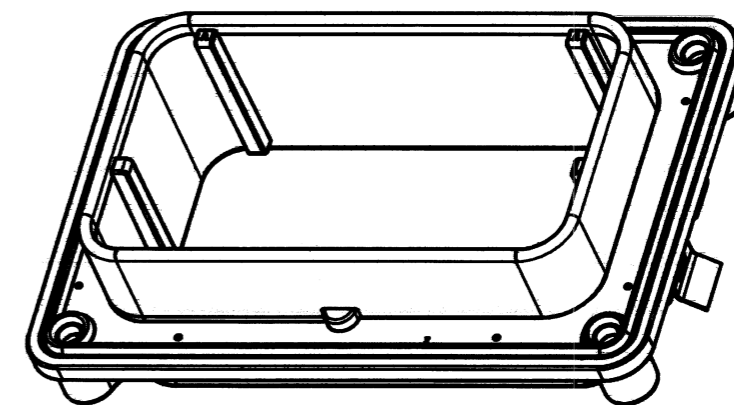
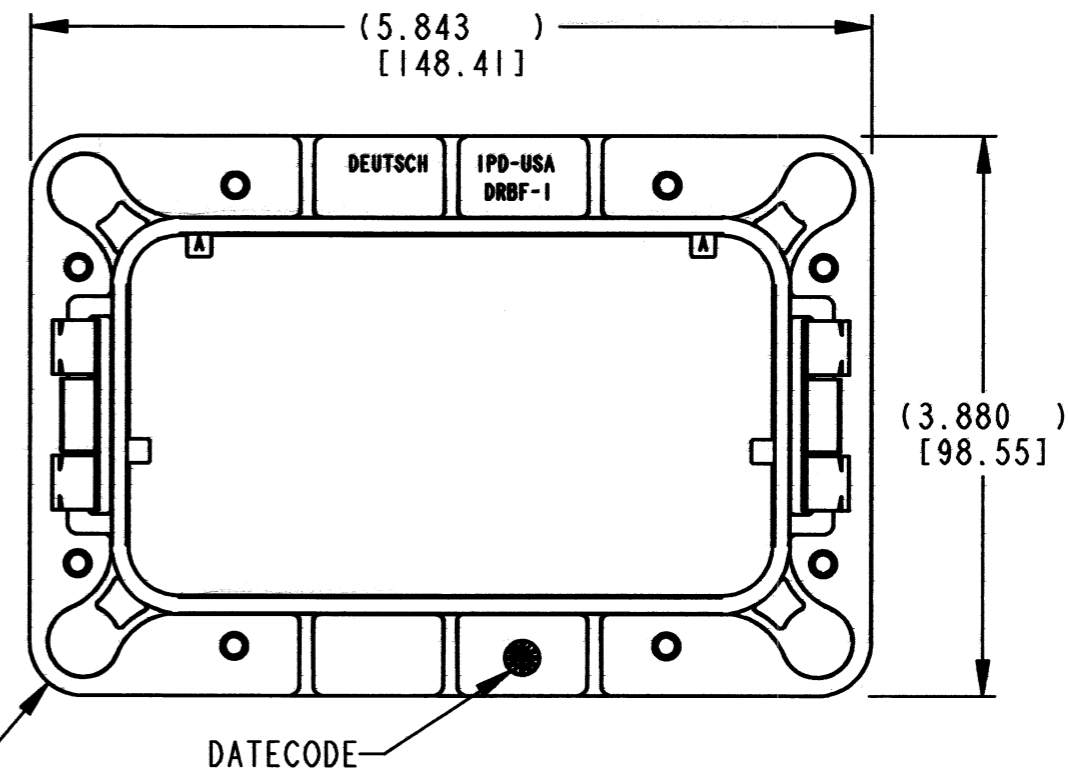
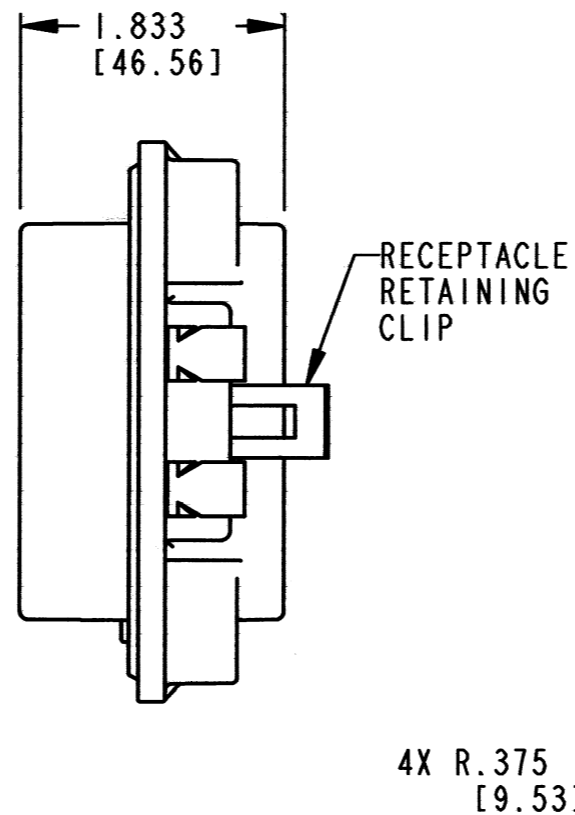
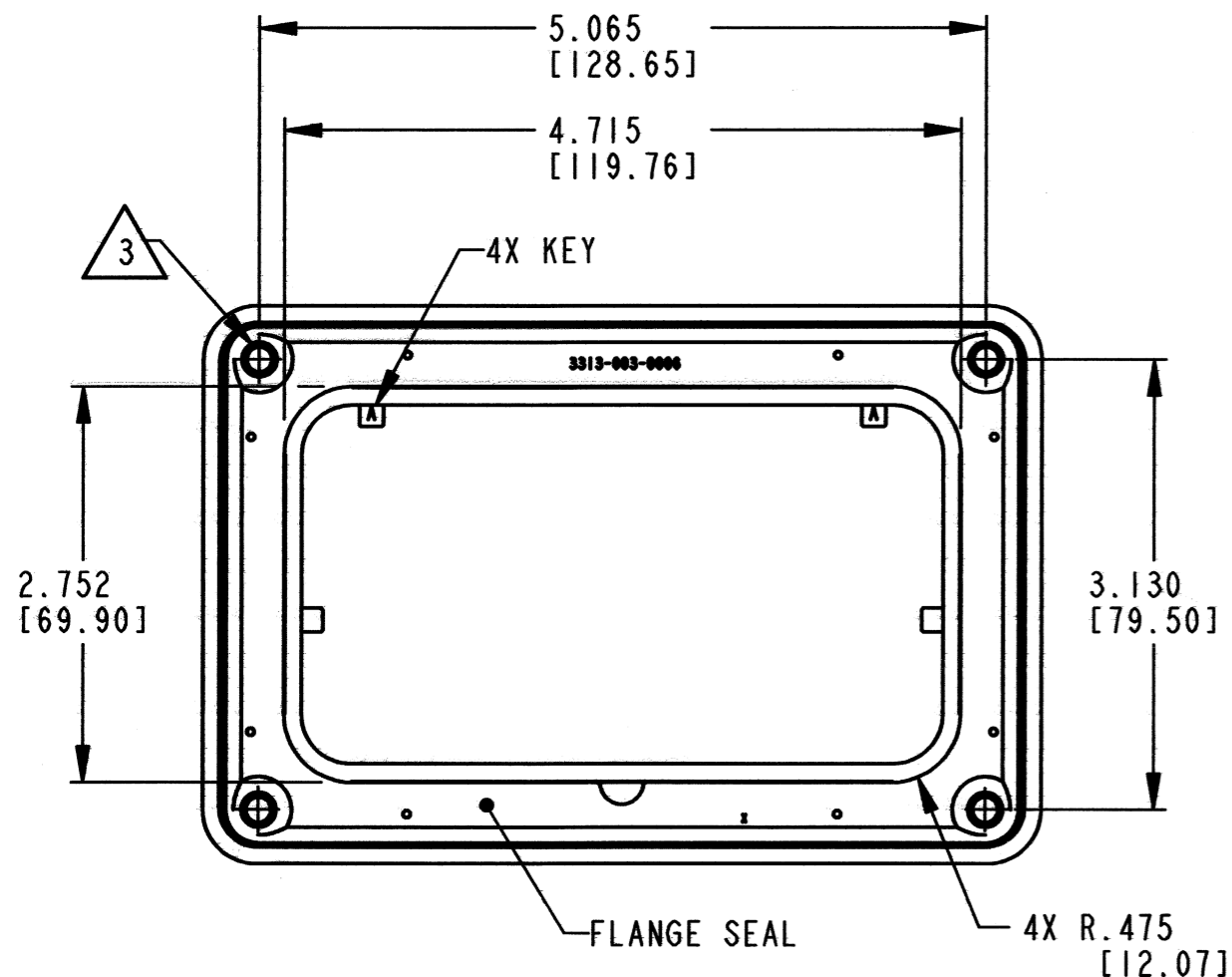


REV
C

DRBF-1*

REVISIONS

SYM	DESCRIPTION	DATE	APPROVED
NC	NEW RELEASE PER E.O. P17220	4-19-01	R.D.R.
A	REVISED PER E.O. P19275	5-31-06	R.D.R.
B	REVISED PER E.O. P20989	6-23-11	R.D.R.
C	REVISED PER E.O. P21520	12/18/12	Dm



- 6. SEE SHEET 2 FOR OTHER KEY ARRANGEMENTS.
- 5. MATERIAL: FLANGE: PLASTIC; SEAL: RUBBER; CLIP: STEEL
- 4. THIS PART MATES WITH DRB12-102P*NE-****, DRB12-128P*NE-**** & DRB12-128P*E-**** RECEPTACLE AND DRB16-102S*E-**** & DRB16-128S*E-**** PLUG. (* = A,B,C,D KEYS; **** = ALL MODIFICATIONS) CONSULT FACTORY FOR MODS.

3 RECOMMENDED SCREW: 10-14 [M5.28 X 1.81] SINGLE HELIX THREAD.
RECOMMENDED TORQUE 20 +5/-0 IN-LB. [2.26 +0.6/-0 NM]. CUSTOMER SUPPLIED.

2. DIMENSION TOLERANCE: ±.025 [.64]; PANEL CUTOUT ±.010 [.25].

1. DIMENSIONS ARE IN INCHES [mm].

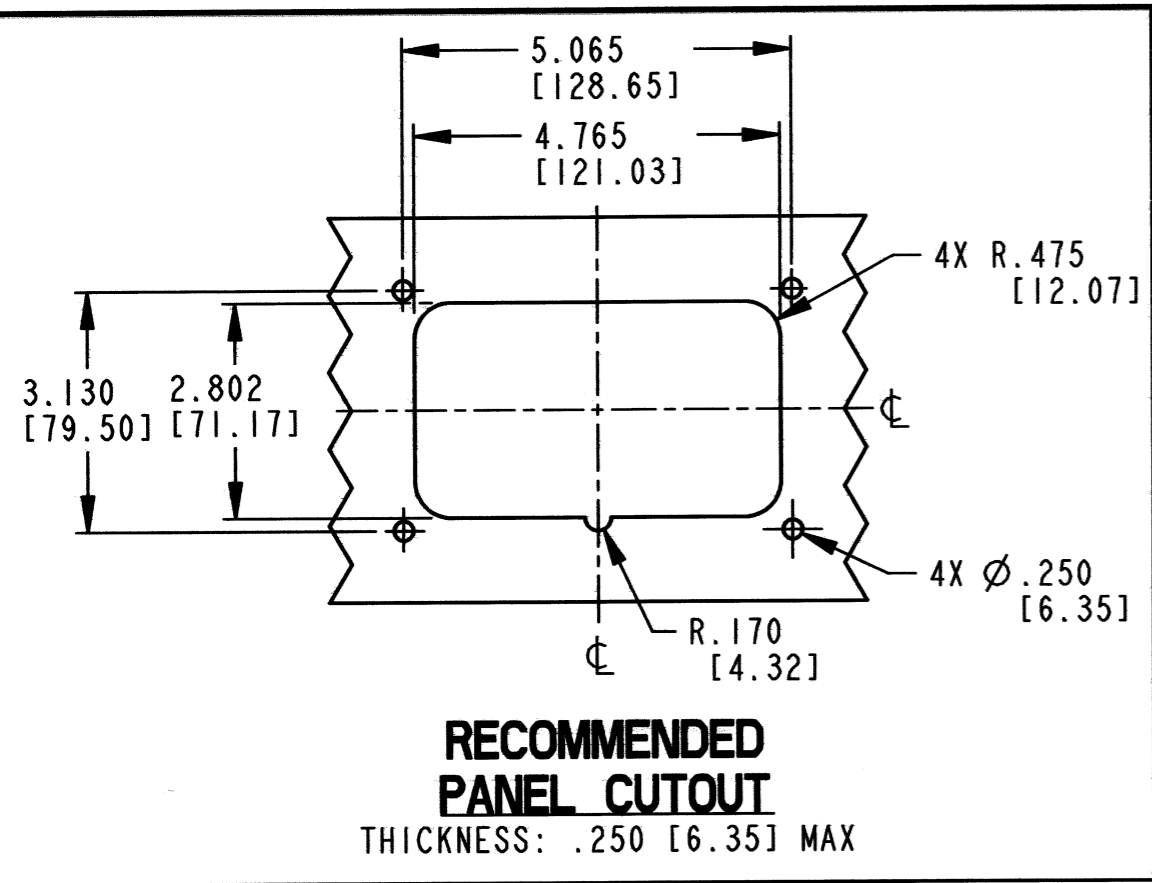
NOTES:

SIGNATURE & DATE	
DR	J. APOSTOL 13DEC2012
CHK	<i>[Signature]</i> 12/18/12
PE	<i>[Signature]</i> 12/18/12
APPD	<i>[Signature]</i> 12/18/12
SCALE	NONE WT 145g

INTERFACE FLANGE
KEYS A, B, C & D
COLOR: BLACK
DRB SERIES

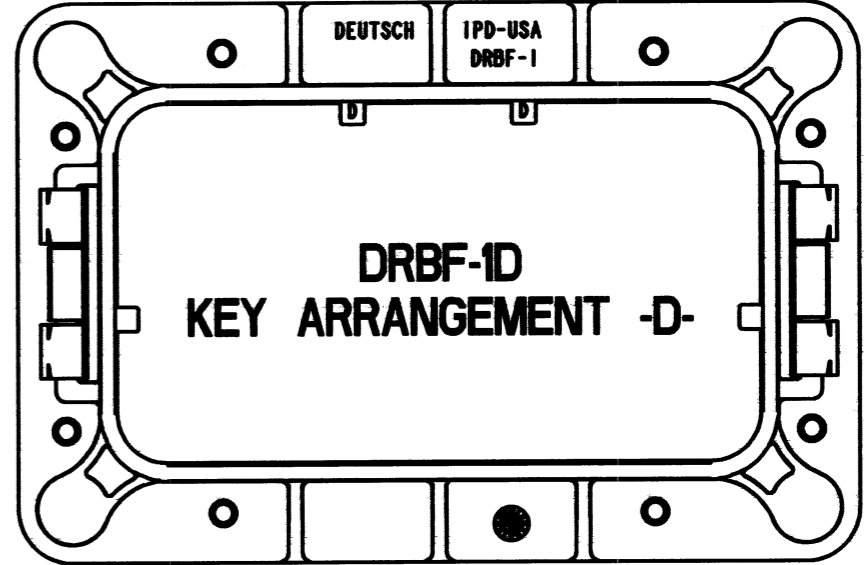
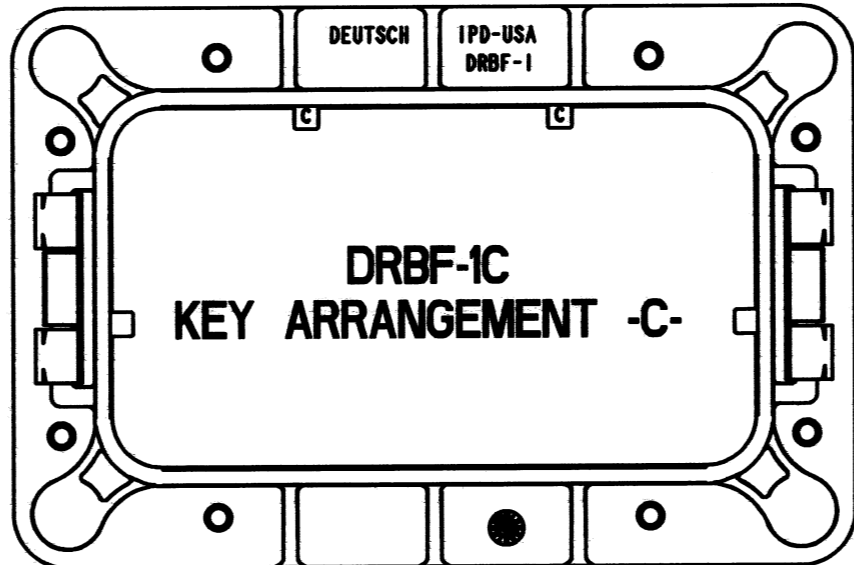
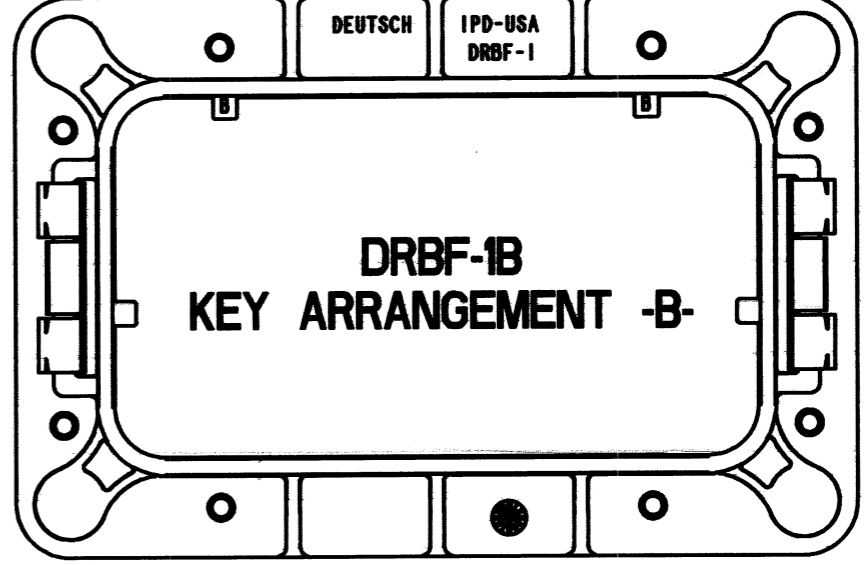
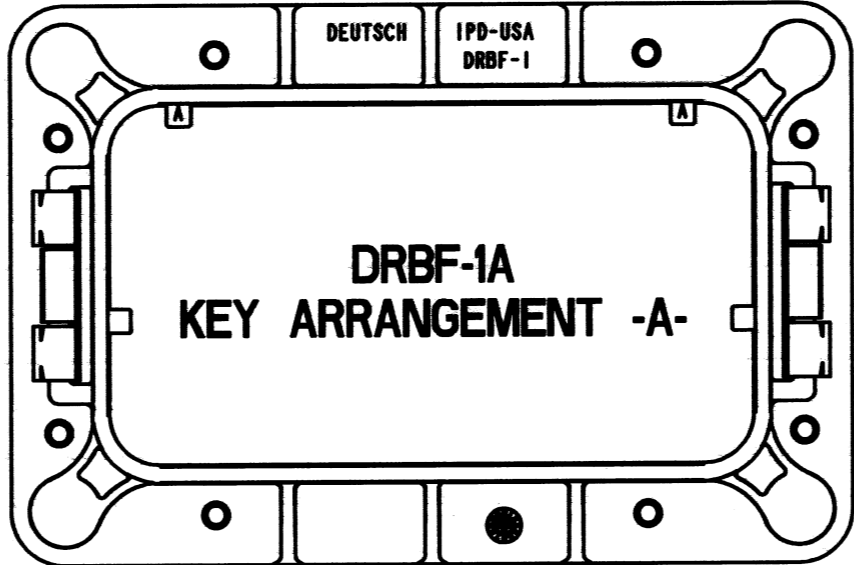
ENVELOPE

EP 046	MATL. CODE
3850 INDUSTRIAL AVE. HEMET, CA 92545	
B	DRBF-1*
DWG SIZE	CODE 11139 SHEET 1 OF 2



REV
C **DRBF-1***

REVISIONS			
SYM	DESCRIPTION	DATE	APPROVED
C	SEE SHEET 1	12/18/12	Dm



NOTES:

SIGNATURE & DATE	
DR	J. APOSTOL 13DEC2012
CHK	<i>[Signature]</i> 12/18/12
PE	<i>[Signature]</i> 12/18/12
APPD	<i>[Signature]</i> 12/18/12
SCALE	NONE - WT SEE SHEET 1

INTERFACE FLANGE
KEYS A, B, C & D
COLOR: BLACK
DRB SERIES

ENVELOPE

EP 046	MATL. CODE
3850 INDUSTRIAL AVE. HEMET, CA 92545	
B	DRBF-1*
DWG SIZE	CODE 11139 SHEET 2 OF 2